

7 Optional accessories

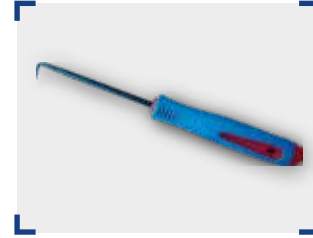
Drain trap G1¼"
Item No. 100676



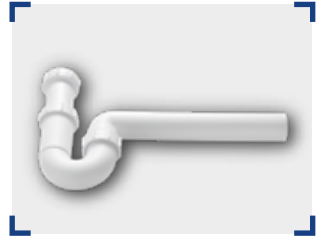
Cover for G1¼"
Item No. 100675



Hook tool
Item No. 100677



Drain trap G1½"
Item No. 100924



Mounting accessories
Item No. 101070



8 Exchange article

Inlet, incl. sealing G1¼"
Item No. 100669



Inlet, incl. sealing G1½"
Item No. 100923



Aqua free

Aqua free Solutions Ltd.

The Media Centre, 7 Northumberland Street
Huddersfield, HD1 1RL, Great Britain

E-mail: info@aqua-free.co.uk

Phone: +44 (0)1484 483045

Headquarters:

Aqua free GmbH

Winsbergring 31
22525 Hamburg, Germany

E-mail: info@aqua-free.com

Phone: +49 (0)40 46899990

Fax: +49 (0)40 46899999

SIPHON-GEBR-ANW-GB-03/2018-V002

Aqua free

Installation- and operating instructions

HygieneSiphon



Table of contents

- 1 Product description
- 2 Area of application
- 3 Technical data
- 4 Scope of delivery
- 5 Installation instructions
- 6 Change of inlet
- 7 Optional accessories
- 8 Exchange article



1 Product description

The HygieneSiphon is designed to reduce the potential for escape of aerosols from the drain trap.

Unlike a standard washbasin waste, the HygieneSiphon design prevents run-off water impacting the seal water at high speed which creates turbulence and results in high aerosol formation. By contrast the HygieneSiphon redirects and guides the water with a low flow velocity into the seal water. The special shape of the HygieneSiphon also creates a labyrinth effect, which bars any ascending aerosols from exiting the drain.

2 Area of application

The HygieneSiphon was developed for hospitals and nursing and can be installed at wash basins with a G1¼" oder G1½" drain.

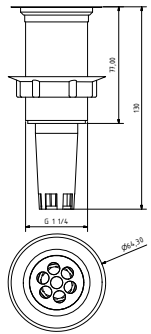
Attention:

The HygieneSiphon may only be installed in wash basins without overflow protection.

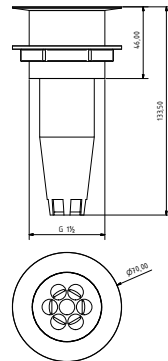


3 Technical data

- Material: plastic (PE/ABS chrome plated)
- Quality controlled: DIN EN 274-1
- Dimensions: G1¼" and G1½"
- Dimensional drawing:

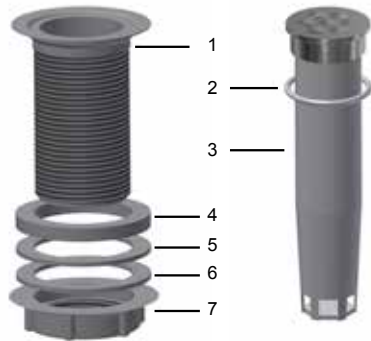


G1¼"



G1½"

4 Scope of delivery



- 1x Permanent drain valve (1)
- 1x Sealing ring white (2)
- 1x Inlet (3)
- 1x Sealing ring (soft) (4)
- 1x Sealing ring (hard) (5)
- 1x Plastic disc (6)
- 1x Lock nut (7)
- 1x Zip lock bag
- 1x Installation and Operating Instructions



- 1 x Permanent drain valve (1)
- 1 x Sealing ring white (2)
- 1 x Inlet (3)
- 1 x Sealing ring (soft) (4)
- 1 x Distance piece (5)
- 1 x Sealing ring (soft) (6)
- 1 x Plastic disc (7)
- 1 x Lock nut (8)
- 1 x Zip lock bag
- 1x Installation and Operating Instructions

5 Installation instructions

- Loosen the existing trap from the drain valve underneath the wash basin
- Dismantle the existing drain valve and remove any sealant residue (silicone etc.) from the wash basin
- G1¼" - Place the soft sealing ring (4) on the thread of the permanent drain valve (1) and put it into the wash basin
 - Then place the hard sealing ring (5) and the plastic disc (6) on the thread of permanent drain valve below the wash basin and tighten the lock nut (7) by hand
- G1½" - Put the permanent drain valve in the basin
 - Place first the soft sealing ring on the thread under the basin, Afterwards place the distance piece, the soft seal and the plastic disc over the thread of the permanent drain valve and screw into place using the lock nut, if necessary, use mounting tool
- Screw the drain trap to the permanent drain valve
- Slide the white sealing ring (2) on the chromed top of the inlet (3)
- Push the inlet in the permanent drain valve until it is flush with the upper edge of the drain valve
- Check the water tightness of the screwing

6 Change of inlet

- Take the new Inlet (3) from the zip lock bag
- Push the hook tool through the bottom of the zip lock bag and place the opening of the zip lock bag above the outflow
- Pull the used inlet up into the zip lock bag with the hook tool
- Close the zip lock bag and remove the hook tool
- Slide the white sealing ring (2) onto the chromed top of the inlet (3)
- Push the inlet in the permanent drain valve until it is flush with the upper edge of the drain valve
- The used inlet can be disposed of with household waste

