

SPECIFICATIONS



Dimensions	L 105 mm x Ø 44 mm H 51 mm (Baclyser® TL) / H 60 mm (Baclyser® TR)
Retention capacity	7 logs, <i>Brev. diminuta</i>
Pore size	0.2 µm
Service life*	max. 8 weeks
Resistance to chlorine**	≤ 10 ppm
Flow capacity	10 l/min. (5 bar, 30°C)
Max. operating pressure***	5 bar
Max. operating temperature	60°C (70°C ≤ 30 min. over service life)
Adaption	Quick-release coupling
Sterilisation method	Gamma sterilisation

* Dependent on water quality.

** Continuous dosing of ≤ 10 ppm over the service life; short-term (1h) high dosing (400,000 ppm) for chemical disinfection.

*** Do not connect the Baclyser® TL/TR (2M) sterile to low-pressure systems (e.g. boiler).

PRODUCT MARKING



Manufacturer



Medical device



Lot code



Follow the instructions for use



Sterilisation by radiation



Do not use if packaging is damaged



Expiry date



Keep dry



Disposable product – Not for reuse



Aqua free GmbH

Winsbergring 31
22525 Hamburg
Germany
Tel.: +49 (0)40 46899990
Fax: +49 (0)40 46899999

Email: info@aquafree.com

Aqua free

Instructions for use

Baclyser® TL (2M) sterile
Baclyser® TR (2M) sterile



The Baclyser® TL/TR (2M) *sterile* is a CE marked, terminal tap sterilising grade filter for use in high risk areas in medical facilities for the prevention of bacterial nosocomial infectious diseases caused by *Pseudomonas aeruginosa*, *Legionella pneumophila*, *Stenotrophomonas maltophilia* or *Staphylococcus aureus* in immunosuppressed and immunocompromised patients by interrupting the transmission path of these germs through filtration of the water and protection against retrograde contamination during the use of water taps through hygienic design and antimicrobial protection functions.

OInstruction-GB-Baclyser-TL/TR (2M) sterile-11/2021-V001



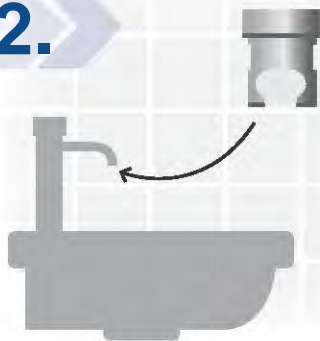
ASSEMBLY



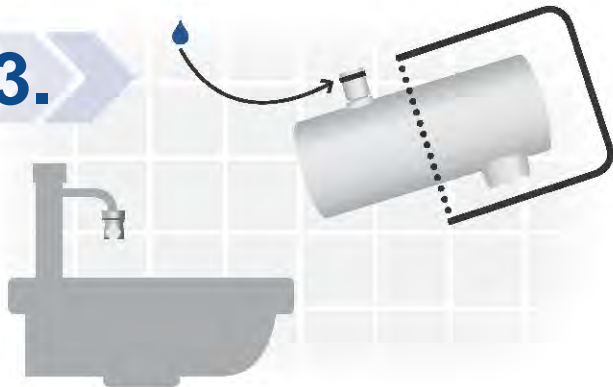
1.



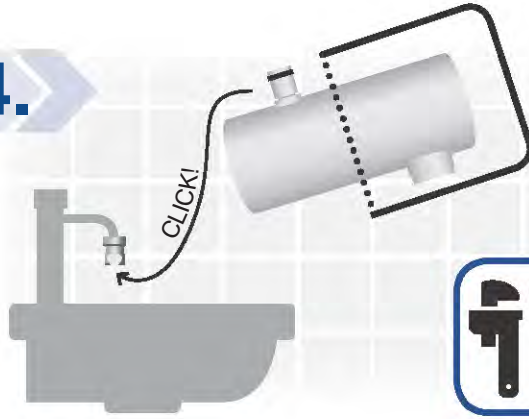
2.



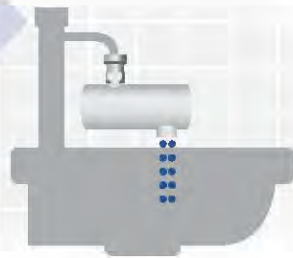
3.



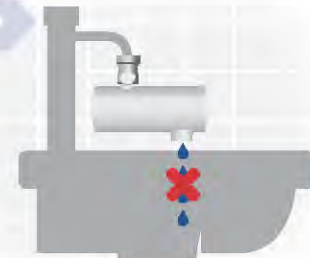
4.



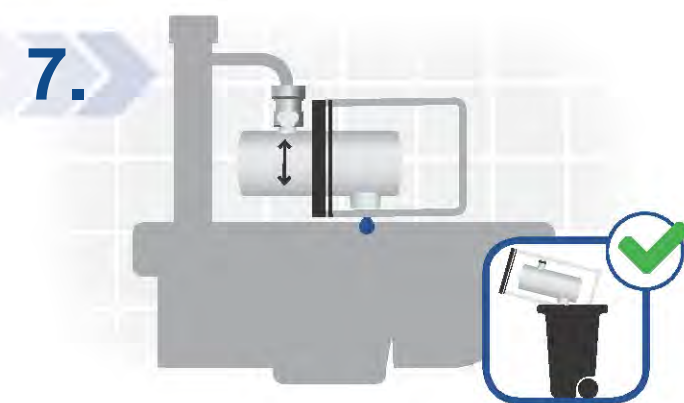
5.



6.



7.



ATTENTION!



SAFETY

