

## SPECIFICATIONS



Dimensions	L 105 mm x Ø 44 mm H 51 mm (Baclyser® TL) / H 60 mm (Baclyser® TR)
Retention capacity	7 logs, <i>Brev. diminuta</i>
Pore size	0.2 µm
Service life*	max. 4 weeks
Resistance to chlorine**	≤ 10 ppm
Flow capacity	10 l/min. (5 bar, 30°C)
Max. operating pressure***	5 bar
Max. operating temperature	60°C (70°C ≤ 30 min. over service life)
Adaption	Quick-release coupling

\* Dependent on water quality.

\*\* Continuous dosing of ≤ 10 ppm over the service life; short-term (1h) high dosing (400,000 ppm) for chemical disinfection.

\*\*\* Do not connect the Baclyser® TL/TR (1M) to low-pressure systems (e.g. boiler).

## PRODUCT MARKING



Manufacturer



Medical device



Lot code



Follow the instructions for use



Non-sterile



Do not use if packaging is damaged



Expiry date



Keep dry



Disposable product – Not for reuse



**Aqua free GmbH**

Winsbergring 31  
22525 Hamburg  
Germany  
Tel.: +49 (0)40 46899990  
Fax: +49 (0)40 46899999

Email: [info@aqua-free.com](mailto:info@aqua-free.com)

# Aqua free

## Instructions for use

### Baclyser® TL (1M) | Baclyser® TR (1M)

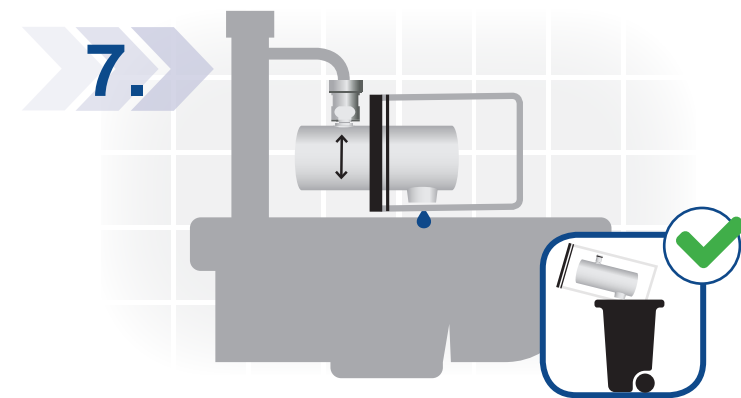
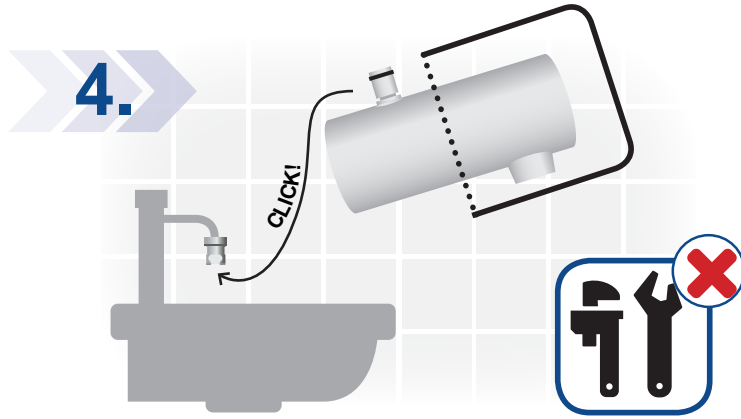
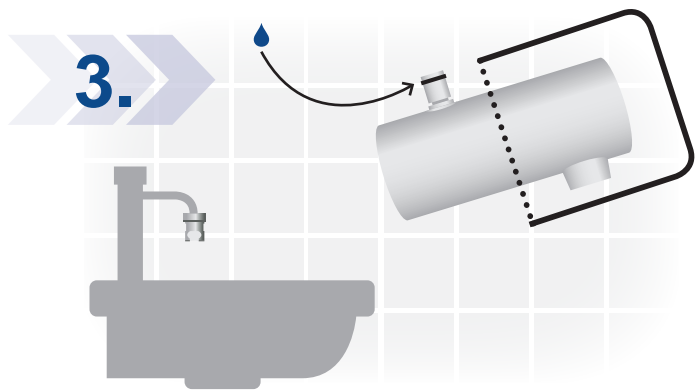
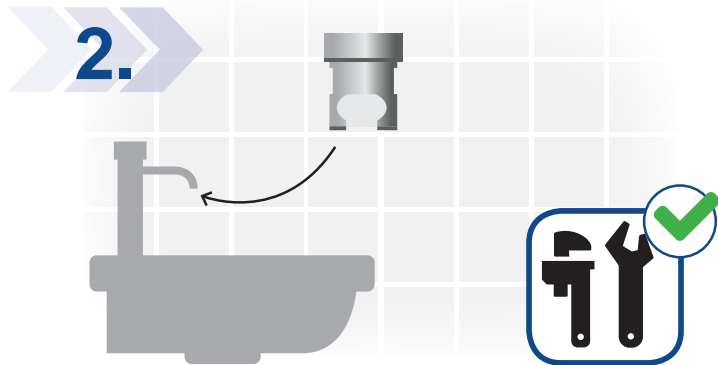
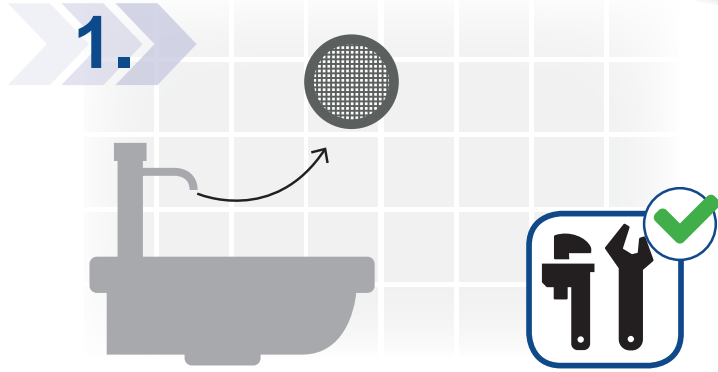


- The Baclyser® TL/TR (1M) is a CE marked, terminal tap sterilising grade filter for use in high risk areas in medical facilities for the prevention of bacterial nosocomial infectious diseases caused by *Pseudomonas aeruginosa*, *Legionella pneumophila*, *Stenotrophomonas maltophilia* or *Staphylococcus aureus* in immunosuppressed and immunocompromised patients by interrupting the transmission path of these germs through filtration of the water and protection against retrograde contamination during the use of water taps through hygienic design and antimicrobial protection functions.

Instruction-GB-Baclyser-TL/TR (1M)-11/2021-V001



# ASSEMBLY



# ATTENTION!



# SAFETY

